

## Armored Sink 32" x 17" – U/M



Kitchen Sinks

Code: 1232 660

AISI 304 Stainless steel

Satin finish

Undermount

X cross bending for easy water draining



### DETAILS

**Series** Quadra Armored

**Edge/Installation Type** Undermount

**Material** AISI 304 stainless steel

**Texture** Satin

**Thickness** 16 Gauge (1.5 mm)

**Overall dimensions** 31 1/2" x 17 1/4"

**Bowl dimension** 30" x 15 3/4"

**Bowls depth** 10"

Cut out 30" x 15 <sup>3</sup>/<sub>4</sub>"

---

Bowls bottom X cross bending for easy water draining

---

Underside Protected with heavy duty undercoating

---

Fixing system Undermount fixing kit (brass insert and clips)

---

Waste fitting type 3 <sup>1</sup>/<sub>2</sub>" - with stainless steel basket

---

## FEATURES

**Diamond-shape bottom** The draining of water is an important feature in a sink, and it's always taken good care of in Foster products. In the bent-welded sinks, which would have a flat bottom, the proper draining is guaranteed by the elegant beveling, which helps the water flow.

---

**High thickness** 1.5 mm thick steel. A significant thickness, which guarantees the maximum sturdiness and durability.

---

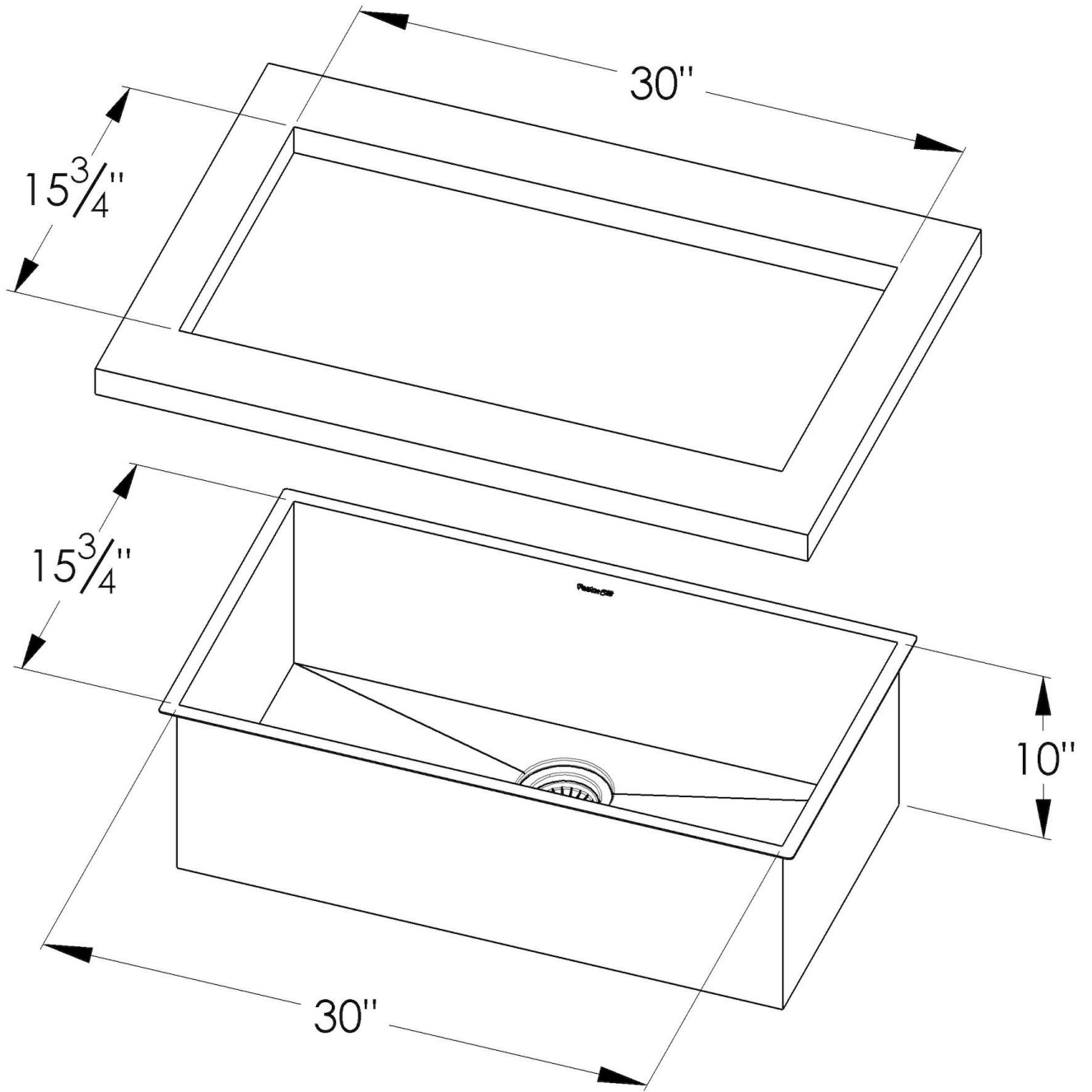
**Basket 3,5" waste fitting** The drain is equipped with a large 3.5" drain, with the practical basket cap that prevents the discharge of solid parts.

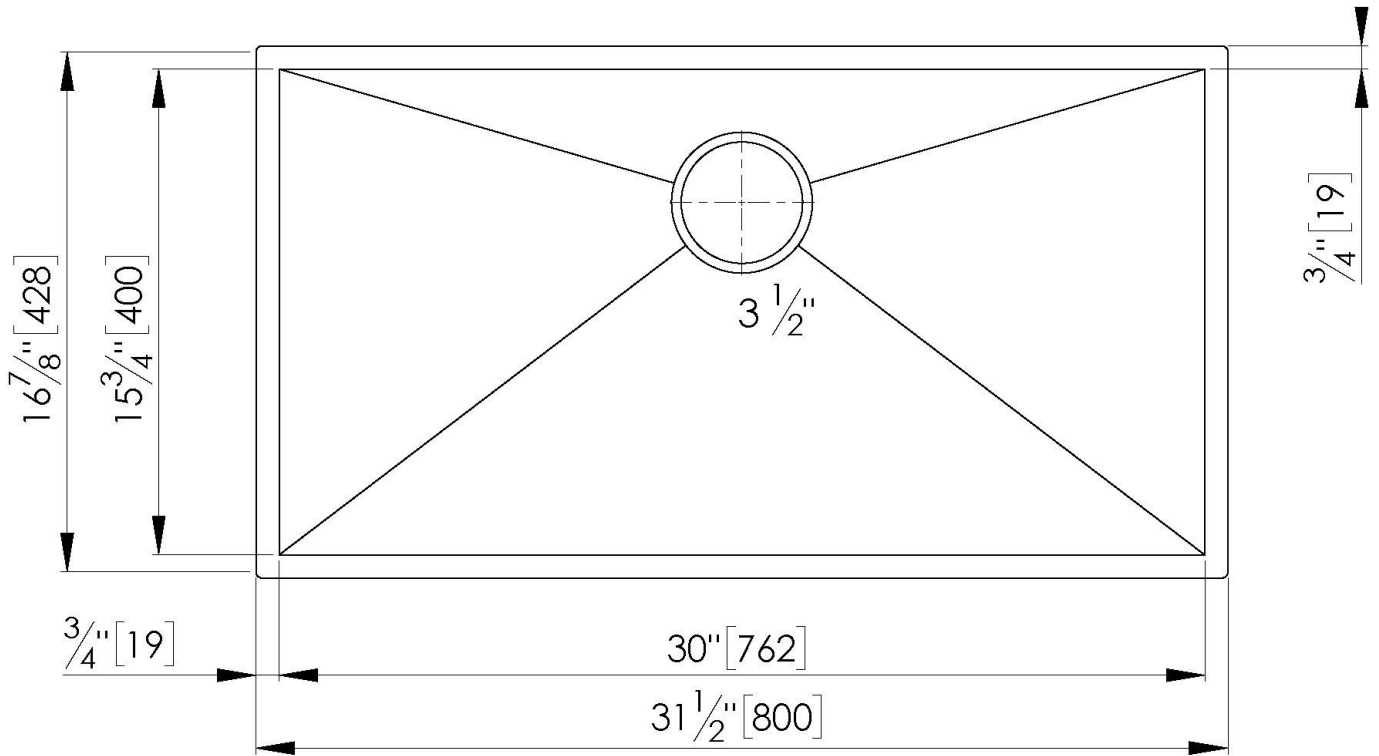
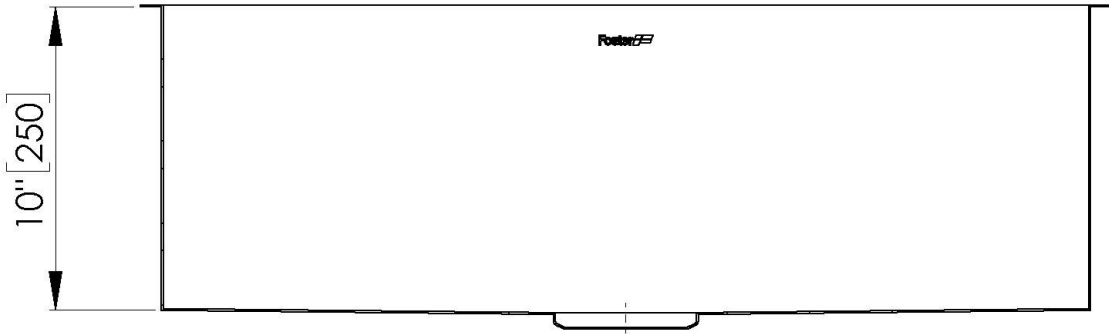
---

**Deep bowls** This bowls reach an important depth, over 20 cm, thanks to the advanced production technology, that can be offer great capieny and practicity in all the washing operations.

---

## TECHNICAL DATA

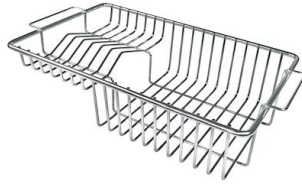




## OPTIONAL ACCESSORIES



**Black grid**  
8100 617



**Stainless steel plate rack**  
8100 201



**Waste disposer throat**  
8669 043



**Iroko-wood sliding chopping board  
with stainless steel colander**  
8644 044



**Chopping Board**  
8631 300



**White bowl**  
8153 100

## RECOMMENDED PAIRINGS



**Faucet Ponza**  
8497 025



**Faucet Sicilia**  
8485 005



**Milano Cooktop 4 burners inLine**  
7640 900